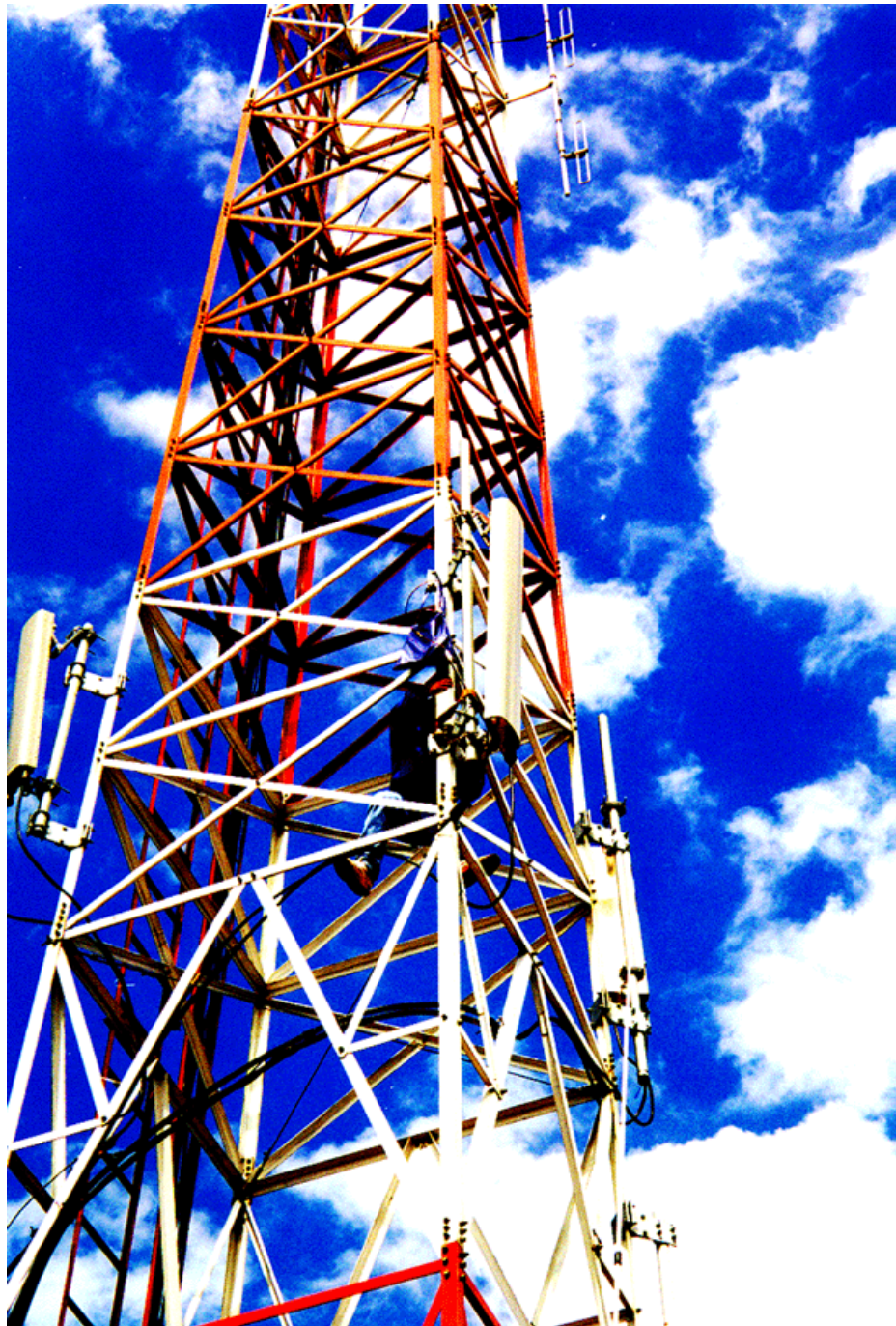




High performance site components





Introduction

Egant AB is one of the leading suppliers of products for Cellular infrastructure.

Specialised in products that makes it possible to share antenna systems, combining signals and designing cost effective mobile networks.

Egant AB works close together with its customers to make solutions and projects optimized for today's demands.

Giving you products that is always in the latest design and highest technology.

Our design centre in Stockholm Sweden is always happy for new challenges and welcomes all new projects and design ideas.

More information can be found at: www.egant.se

EGANT AB

Box 945

114 79 Stockholm

Sweden

Tel: +46 (0)8 6200 650

Email: info@egant.se

Website: www.egant.se



EMP Protectors

www.egant.se

Frequency range

EMP Protectors

68-2500MHz

376-500MHz

376-2500MHz

800-2170MHz

Description

EMP Gas Tube 90V

EMP Quarter Wave

EMP Gas Tube 90V

EMP Quarter Wave

Connector Ordering number

7/16(m)-7/16(f)

EG 606 0003

7/16(m)-7/16(f)

EG 606 0006

7/16(m)-7/16(f)

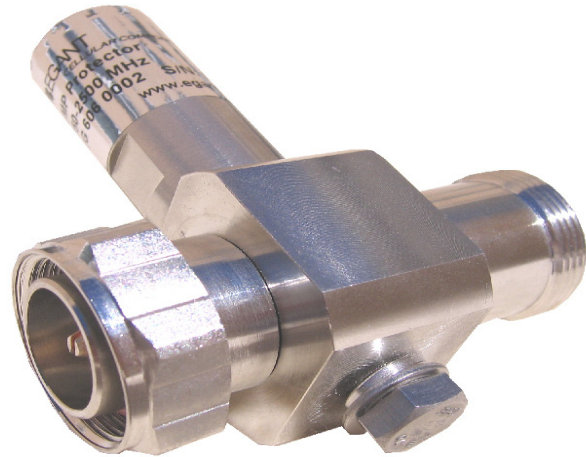
EG 606 0005

7/16(m)-7/16(f)

EG 606 0002



**EMP Protectors
TETRA, CDMA, GSM, GPS UMTS**



Innovative design

Egant EMP Protectors incorporate a broadband and low loss product design. They have virtually no insertion loss yet retain outstanding intermodulation performance.

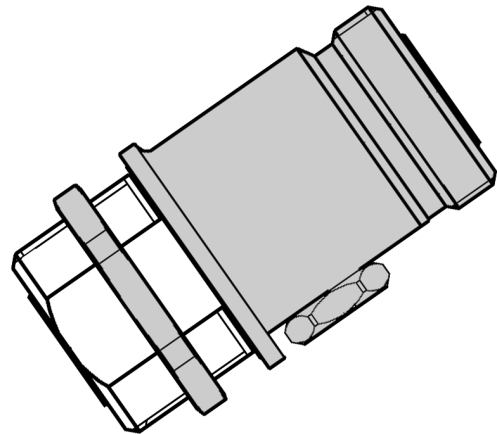
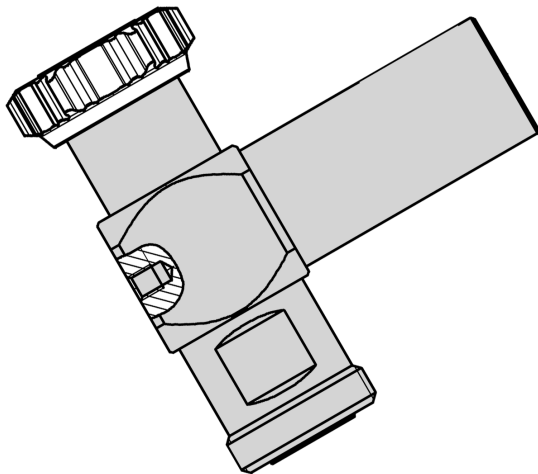
State of the art performance

Installing Egant EMP Protectors safeguards your investment and virtually eliminates system down time in case of lightning.

Technical Specifications for EMP Protectors

Below are some typical data. For more detailed information, please contact us.

Electrical Specifications					
Product number:	EG 606 0002	EG 606 0003	EG 606 0005	EG 606 0017	EG 606 0006
Passband:	800-2170 MHz	68-2500 MHz	376-2500 MHz	1575-1576MHz	376-500 MHz
Technology:	Quarter wave	Gas tube 90 V	Gas tube 90 V		Quarter wave
Input return loss:	> 25.0 dB	> 20.0 dB	> 20.0 dB	> 26.0 dB	> 20.0 dB
Insertion loss:	< 0.1 dB	< 0.1 dB	< 0.1 dB	< 0.1 dB	< 0.1 dB
Max input power:	6000 W	100 W	100 W	10 W	3000 W
Static sparkover voltage:		90V	90V	6.5V	
Surge current handling:	60 kA multiple	2.5 kA	2.5 kA	2.5kA	50 kA multiple
DC Bypass:	No	Yes	Yes	Yes	No
Impedance in/out:	50 Ohm	50 Ohm	50 Ohm	50 Ohm	50 Ohm
Mechanical Specifications					
Dimensions (W x H x D):	98x36x36mm	62x40x40 mm	62x40x40 mm	80x85x40 mm	80x85x40 mm
Connectors:	7/16(m)-7/16(f)	7/16(m)-7/16(f)	7/16(m)-7/16 (f)	N(f)-N(f)	7/16(m)-7/16(f)
Grounding connection:	Screw M5			Screw M5	Screw M5
Environmental Specifications					
Temp. range (normal operation):	-30 to +125° C	-30 to +125° C	-30 to +125° C	-30 to +125° C	-30 to +125° C
Humidity:	Relative 5-100%	Relative 5-100%	Relative 5-100%	Relative 5-100%	Relative 5 - 100%
Sealing:	IP67	IP67	P67	P67	IP67



Egant Cellular Components
 Box 945
 SE-114 79 Stockholm
 Sweden
 Phone: +46 (0)8 620 06 50
 E-mail: info@egant.se
 www.egant.se

Egant reserves the right to change this product specification at any time without notice.

Installation instructions and specifications for EMP Protectors

Below are some typical data. For more detailed information, please contact us.

Installation					
Product number:	EG 606 0002	EG 606 0003	EG 606 0005	EG 606 0017	EG 606 0006
Passband:	800 - 2170 MHz	68 - 2500 MHz	376 - 2500 MHz	1575 - 1576 MHz	376 - 500 MHz
Technology	Quarter wave	Gas tube 90 V	Gas tube 90 V		Quarter wave
Torque:	25 - 30 Nm	25 - 30 Nm	25 - 30 Nm	20 -25 Nm	25 - 30 Nm
Tool:	Torque wrench	Torque wrench	Torque wrench	Torque wrench	Torque wrench
Mounting					
	The EMP Protectors can be installed in any direction	The EMP Protectors can be installed in any direction	The EMP Protectors can be installed in any direction	Output on the protected side	The EMP Protectors can be installed in any direction
Maintenance					
	No maintenance	Gas tube should be replaced after 3 to 5 years	Gas tube should be replaced after 3 to 5 years.	No maintenance	No maintenance

Egant reserves the right to change this product specification at any time without notice.

Egant Cellular Components
 Box 945
 SE-114 79 Stockholm
 Sweden
 Phone: +46 (0)8 62 00 650
 E-mail: info@egant.se
 www.egant.se



DC Blocks

www.egant.se

Frequency range

DC Blocks

88-960

376-2700MHz

376-2700MHz

376-2700MHz

Description

DC Block 3kV

DC Block 3kV

DC Block 3kV

DC Block 3kV

Connector

7/16(m)-7/16(f)

7/16(m)-7/16(f)

N(f)

7/16(f)

Ordering number

EG 606 0010

EG 606 0034

EG 500 5011

EG 500 5012



DC Block 3 kV Broadband

88 - 960 MHz

FM, TETRA, CDMA, DVBH, GSM900



Protect your equipment

The robust Egant DC Block prevents voltage and current from harming your radio equipment. The DC Block circuit uses a capacitor which prevents DC current flow while permitting RF power to flow through the DC Block.



Technical Specifications for the DC Block 88 - 960 MHz

Below are some typical data. For more detailed information, please contact us.

Electrical Specifications	
Product number:	EG 606 0010
Passband:	88 - 960 MHz
Insertion loss:	
88 - 170 MHz:	≤ 0.4 dB
170 - 376 MHz:	≤ 0.1 dB
376 - 960 MHz:	≤ 0.05 dB
Input Return Loss:	
388 - 170 MHz:	12.0 dB
170 - 376 MHz:	15.0 dB
376 - 960 MHz:	20.0 dB
Power Rating:	
RF Power:	250 W avg. 10 kW pk
DC Voltage:	3 kV max
Impedance in/out:	50 Ohm
Mechanical Specifications	
Dimensions (W x H x D):	79 x 32 x 32 mm
Connectors:	7/16 (f)-(m)
Weight:	0.3 Kg
Environmental Specifications	
Temp. range (normal operation):	-35 to +75°C
Humidity:	Relative 5 - 100%
Sealing:	IP68

Egant reserves the right to change this product specification at any time without notice.

Egant AB
Box 945
SE-114 79 Stockholm
Sweden
Phone: +46 (0)8 62 00 650
E-mail: info@egant.se
www.egant.se



DC Block 3 kV Broadband

376 - 2700 MHz

TETRA, GSM900, GSM1800, UMTS,
W-LAN, LTE2600



Protect your equipment

The robust Egant DC Block prevents voltage and current from harming your radio equipment. The DC Block circuit uses a capacitor which prevents DC current flow while permitting RF power to flow through the DC Block.



Technical Specifications for the DC Block 376 - 2700 MHz

Below are some typical data. For more detailed information, please contact us.

Electrical Specifications

Product number:	EG 606 0034
Passband:	376 - 2700 MHz
Insertion loss: 376 - 2700 MHz:	≤ 0.3 dB, typ 0,1dB
Input Return Loss: 376 - 2700 MHz:	17.5 dB
Power Rating: RF Power:	250 W avg. 10 kW pk
3rd order intermodulation: IM3, 2 x 43dBm:	<-110dBm (153dBc)
DC Voltage:	3 kV max
Impedance in/out:	50 Ohm

Mechanical Specifications

Dimensions (W x H x D):	79 x 32 x 32 mm
Connectors:	7/16(m) - 7/16(f)
Weight:	0.3 Kg

Environmental Specifications

Temp. range (normal operation):	-35 to +75°C
Humidity:	Relative 5 - 100%
Sealing:	IP68

Egant reserves the right to change this product specification at any time without notice.

Egant AB
Box 945
SE-114 79 Stockholm
Sweden
Phone: +46 (0)8 62 00 650
E-mail: info@egant.se
www.egant.se



DC Block 3 kV Broadband

376 - 2700 MHz

TETRA, GSM900, GSM1800, UMTS,
W-LAN



Protect your equipment

The robust Egant DC Block prevents voltage and current from harming your radio equipment. The DC Block circuit uses a capacitor which prevents DC current flow while permitting RF power to flow through the DC Block.



Technical Specifications for the DC Block 376 - 2700 MHz

Below are some typical data. For more detailed information, please contact us.

Electrical Specifications		
Product number:	EG 500 5012	EG 500 5011
Passband:	376 - 2700 MHz	376 - 2700 MHz
Insertion loss: 376 - 2700 MHz:	≤ 0.3 dB, typ 0,1dB	≤ 0.3 dB, typ 0,1dB
Input Return Loss: 376 - 2700 MHz:	17.5 dB	17.5 dB
Power Rating:		
RF Power:	250 W avg. 10 kW pk	250 W avg. 10 kW pk
DC Voltage:	3 kV max	3 kV max
Impedance in/out:	50 Ohm	50 Ohm
Mechanical Specifications		
Dimensions (W x H x D):	79 x 32 x 32 mm	79 x 32 x 32 mm
Connectors:	7/16 (f)	N (f)
Weight:	0.3 Kg	0.3 Kg
Environmental Specifications		
Temp. range (normal operation):	-35 to +75°C	-35 to +75°C
Humidity:	Relative 5 - 100%	Relative 5 - 100%
Sealing:	IP68	IP65
<small>Egant reserves the right to change this product specification at any time without notice.</small>		

Egant AB
Box 945
SE-114 79 Stockholm
Sweden
Phone: +46 (0)8 62 00 650
E-mail: info@egant.se
www.egant.se



DC-DC Blocks

www.egant.se

Frequency range

DC-DC Blocks

88-2200
88-2700
376-1000
376-1000
376-2500
376-2500
376-2700
376-2700
376-2700
376-2700
376-2700
376-2700
376-2700
376-2700
850-2170

Description

DC/DC Block 2.5kV
DC-DC Block 17,5KV
DC-DC Block 1,5KV
DC-DC Block 17,5KV
DC/DC Block 2.5kV
DC/DC Block 17.5kV
DC/DC Block 3kV
DC/DC Block 16kV
DC/DC Block 16kV
DC/DC Block 17.5kV
DC/DC Block 17.5kV
DC/DC Block 17.5kV
DC-DC Block 1,5KV

Connector

7/16(m)-7/16(f)
7/16(m)-7/16(f)
N(f)-N(f)
7/16(m)-7/16(f)
7/16(m)-7/16(f)
7/16(m)-7/16(f)
7/16(m)-7/16(f)
7/16(m)-7/16(f)
7/16(m)-7/16(f)
7/16(m)-7/16(f)
N(f)-N(f)
7/16(m)-7/16(f)
N(f)-N(f)

Ordering number

EG 606 0026
EG 606 0028
EG 606 0018
EG 500 5016
EG 606 0022
EG 500 5017
EG 606 0035
EG 606 0024
EG 606 0029
EG 606 0030
EG 606 0004
EG 606 0031
EG 606 0020



DC/DC Block Inner/Outer 2.5 kV 88 - 2200 MHz

Protect your equipment

The DC-DC Block prevents voltage and current from damaging your radio equipment. Unwanted voltage and current are often located in equipment installed in railroad tunnels. Using DC Blocks is the most effective way to protect your equipment.

Inner/Inner and Outer/Outer

Both inner and outer conductors are isolated to prevent direct current damaging your equipment, whilst the RF signals pass unaffected in the passband.



Technical Specifications for the DC-DC Block 88 - 2200 MHz

Below are some typical data. For more detailed information, please contact us.

Electrical Specifications	
Product number:	EG 606 0026
Passband:	88 - 2200 MHz
Insertion loss:	
88 - 376 MHz	≤ 1.0 dB, typ 0.6dB
376 - 2200 MHz:	≤ 0.3 dB
Input Return Loss:	
88 - 376 MHz	≥ 8 dB, typ 10dB
376 - 2200 MHz:	≥ 18 dB
Power Rating:	
RF Power:	300 W avg. 10 kW pk
DC Voltage Isolation:	
Inner/Inner:	2.5 kV max
Outer/Outer:	2.5 kV max
Impedance in/out:	50 Ohm
Mechanical Specifications	
Dimensions (W x H x D):	115 x 42 x42 mm
Connectors:	7/16 (m) - 7/16 (f)
Weight:	0.3 Kg
Environmental Specifications	
Temp. range (normal operation):	-35 to +75° C
Humidity:	Relative 5 - 100%
Sealing:	IP65

Egant reserves the right to change this product specification at any time without notice.

Egant Cellular Components
Box 945
SE-114 79 Stockholm
Sweden
Phone: +46 (0)8 62 00 650
E-mail: info@egant.se
www.egant.se

Installation instruction for DC-DC Block 88 - 2200 MHz

Below are some typical data. For more detailed information, please contact us.

Installation

Product number:	EG 606 0026
Torque:	25 - 30 Nm
Tool:	Torque wrench

Mounting

The DC-DC Block can be installed in any direction

Maintenance

No maintenance

Egant reserves the right to change this product specification at any time without notice.

Egant Cellular Components
Box 945
SE-114 79 Stockholm
Sweden
Phone: +46 (0)8 62 00 650
E-mail: info@egant.se
www.egant.se



DC/DC Block Inner/Outer 17,5 kV 88 - 2700 MHz

Protect your equipment

The DC-DC Block prevents voltage and current from damaging your radio equipment. Unwanted voltage and current are often located in equipment installed in railroad tunnels. Using DC Blocks is the most effective way to protect your equipment.

Inner/Inner and Outer/Outer

Both inner and outer conductors are isolated to prevent direct current damaging your equipment, whilst the RF signals pass unaffected in the passband.



Technical Specifications for the DC-DC Block 88 - 2700 MHz

Below are some typical data. For more detailed information, please contact us.

Electrical Specifications	
Product number:	EG 606 0028
Passband:	88 - 2700MHz
Insertion loss:	
88 - 376 MHz:	≤ 1.0 dB, typ 0,7dB
376 - 2600 MHz:	≤ 0.3 dB, typ 0,1dB
2600 - 2700 MHz:	≤ 0.8 dB, typ 0,4dB
Input Return Loss:	
88 - 376 MHz:	≥ 7.5 dB
376 - 2700 MHz:	≥ 18 dB
Power Rating:	
RF Power:	300 W avg. 10 kW pk
DC Voltage Isolation:	
Inner/Inner:	17,5 kV max
Outer/Outer:	17,5kV max
Impedance in/out:	
	50 Ohm
Mechanical Specifications	
Dimensions (W x H x D):	162 x 51 x 51 mm
Connectors:	7/16 (m) - 7/16 (f)
Weight:	0.9 Kg
Environmental Specifications	
Temp. range (normal operation):	-35 to +75° C
Humidity:	Relative 5 - 100%
Sealing:	IP67

Egant reserves the right to change this product specification at any time without notice.

Egant Cellular Components
Box 945
SE-114 79 Stockholm
Sweden
Phone: +46 (0)8 62 00 650
E-mail: info@egant.se
www.egant.se

Installation instruction for DC-DC Block 88 - 2700 MHz

Below are some typical data. For more detailed information, please contact us.

Installation

Product number:	EG 606 0028
Torque:	25 - 30 Nm
Tool:	Torque wrench

Mounting

The DC-DC Block can be installed in any direction

Maintenance

No maintenance

Egant reserves the right to change this product specification at any time without notice.

Egant Cellular Components
Box 945
SE-114 79 Stockholm
Sweden
Phone: +46 (0)8 62 00 650
E-mail: info@egant.se
www.egant.se



DC Block 1.5kV Broadband

376 - 1000 MHz

850 - 2170MHz

TETRA, GSM900, GSM1800, UMTS,



Protect your equipment

The robust Egant DC Block prevents voltage and current from harming your radio equipment. The DC Block circuit uses a capacitor which prevents DC current flow while permitting RF power to flow through the DC Block.



Technical Specifications for the DC-DC Block - DC Block

Below are some typical data. For more detailed information, please contact us.

Electrical Specifications

Product number:	EG 606 0018	EG 606 0020
Passband:	376 - 1000 MHz	850 - 2170 MHz
DC Block Type:	DC-DC Block (inner/outer)	DC Block (Inner conductor)

Insertion loss:		
376 - 1000 MHz:	≤ 0.3dB	
850 - 2170 MHz:		≤ 0.3 dB

Input Return Loss:		
376 - 1000 MHz:	≥ 18 dB	
850 - 2170 MHz:		≥ 18 dB

Power Rating:		
RF Power:	300 W avg. 10 kW pk	300 W avg. 10 kW pk
DC Voltage:	1.5 kV max	1 kV max
Impedance in/out:	50 Ohm	50 Ohm

Mechanical Specifications

Dimensions (W x H x D):	120 x 28 x 28mm	80 x 17 x 17 mm
Connectors:	N (f) - N (f)	N (f) - N (f)
Weight:	0.2 Kg	0.2 Kg

Environmental Specifications

Temp. range (normal operation):	-35 to +75°C	-35 to +75°C
Humidity:	Relative 5 - 100%	Relative 5 - 100%
Sealing:	IP65	IP65

Egant reserves the right to change this product specification at any time without notice.



Egant AB
 Box 945
 SE-114 79 Stockholm
 Sweden
 Phone: +46 (0)8 62 00 650
 E-mail: info@egant.se
 www.egant.se



DC/DC Block Inner/Outer 17.5 kV 376 - 2500 MHz



Inner/Inner and Outer/Outer

Both inner and outer conductors are isolated to prevent direct current damaging your equipment, whilst the RF signals pass unaffected in the passband.

Protect your equipment

The DC-DC Block prevents voltage and current from damaging your radio equipment. Unwanted voltage and current are often located in equipment installed in railroad tunnels. Using DC Blocks is the most effective way to protect your equipment.

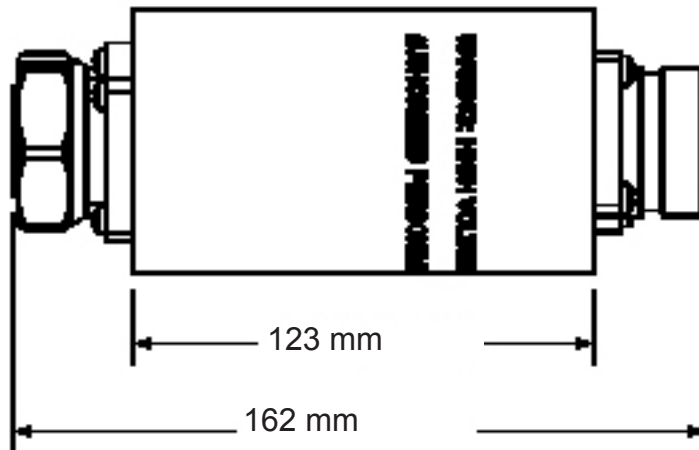


Technical Specifications for the DC-DC Block 376 - 2500 MHz

Below are some typical data. For more detailed information, please contact us.

Electrical Specifications			
Product number:	EG 500 5016	EG 500 5017	EG 606 0004
Passband:	376 - 1000 MHz	376 - 2500 MHz	376 - 1000 MHz
Insertion loss:			
376 - 1000 MHz:	≤ 0.3 dB		≤ 0.3 dB
376 - 2500 MHz:		≤ 0.3 dB	
Input Return Loss:	≥ 18 dB	≥ 18 dB	≥ 18 dB
Power Rating:			
RF Power:	300 W avg. 10 kW pk	300 W avg. 10 kW pk	300 W avg. 10 kW pk
DC Voltage Isolation:			
Inner/Inner:	17.5 kV max	17.5 kV max	17.5 kV max
Outer/Outer:	17.5 kV max	17.5 kV max	17.5 kV max
Impedance in/out:	50 Ohm	50 Ohm	50 Ohm
Mechanical Specifications			
Dimensions (W x H x D):	162 x 51 x 51 mm	162 x 51 x 51 mm	162 x 51 x 51 mm
Connectors:	7/16 (m) - 7/16 (f)	7/16 (m) - 7/16 (f)	N (m) - N (f)
Weight:	0.9 Kg	0.9 Kg	0.9 Kg
Environmental Specifications			
Temp. range (normal operation):	-35 to +75° C	-35 to +75° C	-35 to +75° C
Humidity:	Relative 5 - 100%	Relative 5 - 100%	Relative 5 - 100%
Sealing:	IP68	IP68	IP65

Egant reserves the right to change this product specification at any time without notice.



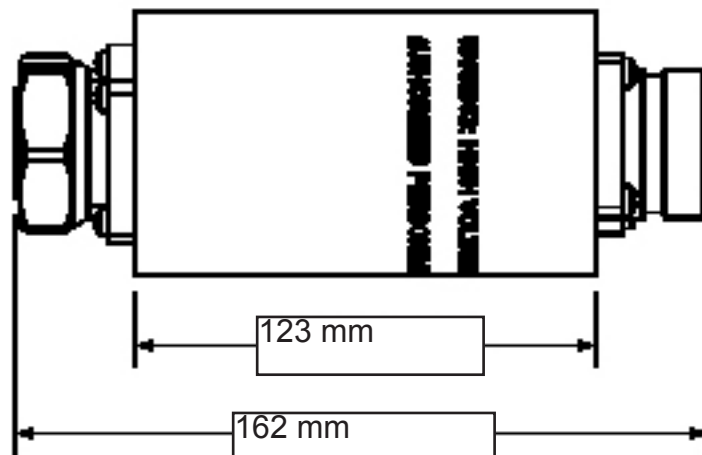
Egant AB
 Box 945
 SE-114 79 Stockholm
 Sweden
 Phone: +46 (0)8 62 00 650
 E-mail: info@egant.se
 www.egant.se

Installation instruction for DC-DC Block 376 - 2500 MHz

Below are some typical data. For more detailed information, please contact us.

Installation				
Product number:	EG 500 5016	EG 500 5017	EG 606 0004	
Torque:	25 - 30 Nm	25 - 30 Nm	25 - 30 Nm	
Tool:	Torque wrench	Torque wrench	Torque wrench	
Mounting	The DC-DC Block can be installed in any direction	The DC-DC Block can be installed in any direction	The DC-DC Block can be installed in any direction	
Maintenance	No maintenance	No maintenance	No maintenance	

Egant reserves the right to change this product specification at any time without notice.



Egant AB
Box 945
SE-114 79 Stockholm
Sweden
Phone: +46 (0)8 62 00 650
E-mail: info@egant.se
www.egant.se



**DC/DC Block Inner/Outer 2.5 kV
376 - 2500 MHz
DC/DC Block Inner/Outer 3kV
376-2700MHz**



Inner/Inner and Outer/Outer

Both inner and outer conductors are isolated to prevent direct current damaging your equipment, whilst the RF signals pass unaffected in the passband.

Protect your equipment

The DC-DC Block prevents voltage and current from damaging your radio equipment. Unwanted voltage and current are often located in equipment installed in railroad tunnels. Using DC Blocks is the most effective way to protect your equipment.



Technical Specifications for the DC-DC Block 376 - 2700 MHz

Below are some typical data. For more detailed information, please contact us.

Electrical Specifications		
Product number:	EG 606 0022	EG 606 0035
Passband:	376 - 2500 MHz	376 - 2700MHz
Insertion loss:	≤ 0.3 dB	≤ 0.3 dB
Input Return Loss:	≥ 18 dB	≥ 18 dB
Power Rating: RF Power:	300 W avg. 10 kW pk	300 W avg. 10 kW pk
DC Voltage Isolation: Inner/Inner:	2.5 kV max	3.0 kV max
Outer/Outer:	2.5 kV max	3.0 kV max
Impedance in/out:	50 Ohm	50 Ohm
3rd order intermodulation: IM3, 2x43dBm:		<-110dBm (153dBc)
Mechanical Specifications		
Dimensions (W x H x D):	162 x 45 x45 mm	162 x 45 x45 mm
Connectors:	7/16 (m) - 7/16 (f)	7/16 (m) - 7/16 (f)
Weight:	0.7 Kg	0.7 Kg
Environmental Specifications		
Temp. range (normal operation):	-35 to +75° C	35 to +75° C
Humidity:	Relative 5 - 100%	Relative 5 - 100%
Sealing:	IP68	IP68

Egant reserves the right to change this product specification at any time without notice.

Egant AB
Box 945
SE-114 79 Stockholm
Sweden
Phone: +46 (0)8 62 00 650
E-mail: info@egant.se
www.egant.se



DC/DC Block Inner/Outer 16 kV 376 - 2700 MHz



Protect your equipment

The DC-DC Block prevents voltage and current from damaging your radio equipment. Unwanted voltage and current are often located in equipment installed in railroad tunnels. Using DC Blocks is the most effective way to protect your equipment.

Inner/Inner and Outer/Outer

Both inner and outer conductors are isolated to prevent direct current damaging your equipment, whilst the RF signals pass unaffected in the passband.



Technical Specifications for the DC-DC Block 376 - 2700 MHz

Below are some typical data. For more detailed information, please contact us.

Electrical Specifications	
Product number:	EG 606 0024
Passband:	376 - 2700MHz
Insertion loss:	
376 - 2600 MHz:	≤ 0.3 dB
2600 - 2700 MHz:	≤ 0.8 dB, typ 0,4dB
Input Return Loss:	≥ 18 dB
Power Rating:	
RF Power:	300 W avg. 10 kW pk
DC Voltage Isolation:	
Inner/Inner:	16 kV max
Outer/Outer:	16 kV max
Impedance in/out:	50 Ohm
Mechanical Specifications	
Dimensions (W x H x D):	162 x 51 x 51 mm
Connectors:	7/16 (m) - 7/16 (f)
Weight:	0.9 Kg
Environmental Specifications	
Temp. range (normal operation):	-35 to +75° C
Humidity:	Relative 5 - 100%
Sealing:	IP67

Egant reserves the right to change this product specification at any time without notice.

Egant AB
Box 945
SE-114 79 Stockholm
Sweden
Phone: +46 (0)8 62 00 650
E-mail: info@egant.se
www.egant.se

Installation instruction for DC-DC Block 376 - 2700 MHz

Below are some typical data. For more detailed information, please contact us.

Installation

Product number: EG 606 0024
Torque: 25 - 30 Nm
Tool: Torque wrench

Mounting

The DC-DC Block can be installed in any direction

Maintenance

No maintenance

Egant reserves the right to change this product specification at any time without notice.

Egant AB
Box 945
SE-114 79 Stockholm
Sweden
Phone: +46 (0)8 62 00 650
E-mail: info@egant.se
www.egant.se



DC/DC Block Inner/Outer 16 kV 376 - 2700 MHz



Protect your equipment

The DC-DC Block prevents voltage and current from damaging your radio equipment. Unwanted voltage and current are often located in equipment installed in railroad tunnels. Using DC Blocks is the most effective way to protect your equipment.

Inner/Inner and Outer/Outer

Both inner and outer conductors are isolated to prevent direct current damaging your equipment, whilst the RF signals pass unaffected in the passband.



Technical Specifications for the DC-DC Block 376 - 2700 MHz

Below are some typical data. For more detailed information, please contact us.

Electrical Specifications	
Product number:	EG 606 0029
Passband:	376 - 2700MHz
Insertion loss:	
376 - 2600 MHz:	≤ 0.3 dB
2600 - 2700 MHz:	≤ 0.8 dB, typ 0,4dB
Input Return Loss:	≥ 18 dB
Power Rating:	
RF Power:	300 W avg. 10 kW pk
3rd order intermodulation:	
IM3, 2 x 43 dBm:	<-110 dBm (153 dBc)
DC Voltage Isolation:	
Inner/Inner:	16 kV max
Outer/Outer:	16 kV max
Impedance in/out:	50 Ohm
Mechanical Specifications	
Dimensions (W x H x D):	162 x 48 x 48 mm
Connectors:	7/16 (m) - 7/16 (f)
Weight:	0.9 Kg
Environmental Specifications	
Temp. range (normal operation):	-35 to +75° C
Humidity:	Relative 5 - 100%
Sealing:	IP67

Egant reserves the right to change this product specification at any time without notice.

Egant AB
Box 945
SE-114 79 Stockholm
Sweden
Phone: +46 (0)8 62 00 650
E-mail: info@egant.se
www.egant.se

Installation instruction for DC-DC Block 376 - 2700 MHz

Below are some typical data. For more detailed information, please contact us.

Installation

Product number: EG 606 0029
Torque: 25 - 30 Nm
Tool: Torque wrench

Mounting

The DC-DC Block can be installed in any direction

Maintenance

No maintenance

Egant reserves the right to change this product specification at any time without notice.

Egant AB
Box 945
SE-114 79 Stockholm
Sweden
Phone: +46 (0)8 62 00 650
E-mail: info@egant.se
www.egant.se



DC/DC Block Inner/Outer 17.5 kV 376 - 2700 MHz



Protect your equipment

The DC-DC Block prevents voltage and current from damaging your radio equipment. Unwanted voltage and current are often located in equipment installed in railroad tunnels. Using DC Blocks is the most effective way to protect your equipment.

Inner/Inner and Outer/Outer

Both inner and outer conductors are isolated to prevent direct current damaging your equipment, whilst the RF signals pass unaffected in the passband.



Technical Specifications for the DC-DC Block 376 - 2700 MHz

Below are some typical data. For more detailed information, please contact us.

Electrical Specifications	
Product number:	EG 606 0030
Passband:	376 - 2700 MHz
Insertion loss:	
376 - 2500 MHz:	≤ 0.3 dB
2500 - 2700MHz:	≤ 0.8 dB typ 0.3dB
Input Return Loss:	≥ 18 dB
Power Rating:	
RF Power:	300 W avg. 10 kW pk
DC Voltage Isolation:	
Inner/Inner:	17.5 kV max
Outer/Outer:	17.5 kV max
Impedance in/out:	50 Ohm
Mechanical Specifications	
Dimensions (W x H x D):	162 x 48 x 48 mm
Connectors:	7/16 (m) - 7/16 (f)
Weight:	0.9 Kg
Environmental Specifications	
Temp. range (normal operation):	35 to +75° C
Humidity:	Relative 5 - 100%
Sealing:	IP67

Egant reserves the right to change this product specification at any time without notice.

Egant AB
Box 945
SE-114 79 Stockholm
Sweden
Phone: +46 (0)8 62 00 650
E-mail: info@egant.se
www.egant.se

Installation instruction for DC-DC Block 376 - 2700 MHz

Below are some typical data. For more detailed information, please contact us.

Installation

Product number: EG 606 0030
Torque: 25 - 30 Nm
Tool: Torque wrench

Mounting

The DC-DC Block can be installed in any direction

Maintenance

No maintenance

Egant reserves the right to change this product specification at any time without notice.

Egant AB
Box 945
SE-114 79 Stockholm
Sweden
Phone: +46 (0)8 62 00 650
E-mail: info@egant.se
www.egant.se



**DC/DC Block Inner/Outer 17,5 kV
376 - 2700 MHz**



Protect your equipment

The DC-DC Block prevents voltage and current from damaging your radio equipment. Unwanted voltage and current are often located in equipment installed in railroad tunnels. Using DC Blocks is the most effective way to protect your equipment.

Inner/Inner and Outer/Outer

Both inner and outer conductors are isolated to prevent direct current damaging your equipment, whilst the RF signals pass unaffected in the passband.



Technical Specifications for the DC-DC Block 376 - 2700 MHz

Below are some typical data. For more detailed information, please contact us.

Electrical Specifications	
Product number:	EG 606 0031
Passband:	376 - 2700MHz
Insertion loss:	
376 - 2600 MHz:	≤ 0.3 dB, typ 0.15dB
2600 - 2700 MHz:	≤ 0.5 dB, typ 0,25dB
Input Return Loss:	≥ 18 dB
Power Rating:	
RF Power:	300 W avg. 10 kW pk
3rd order intermodulation:	
IM3, 2 x 43 dBm:	<-110 dBm (153 dBc)
DC Voltage Isolation:	
Inner/Inner:	17.5 kV max
Outer/Outer:	17.5 kV max
Impedance in/out:	50 Ohm
Mechanical Specifications	
Dimensions (W x H x D):	162 x 48 x 48 mm
Connectors:	7/16 (m) - 7/16 (f)
Weight:	0.9 Kg
Environmental Specifications	
Temp. range (normal operation):	-35 to +75° C
Humidity:	Relative 5 - 100%
Sealing:	IP67

Egant reserves the right to change this product specification at any time without notice.



Egant AB
Box 945
SE-114 79 Stockholm
Sweden
Phone: +46 (0)8 62 00 650
E-mail: info@egant.se
www.egant.seg

Installation instruction for DC-DC Block 376 - 2700 MHz

Below are some typical data. For more detailed information, please contact us.

Installation

Product number: EG 606 0031
Torque: 25 - 30 Nm
Tool: Torque wrench

Mounting

The DC-DC Block can be installed in any direction

Maintenance

No maintenance

Egant reserves the right to change this product specification at any time without notice.

Egant AB
Box 945
SE-114 79 Stockholm
Sweden
Phone: +46 (0)8 62 00 650
E-mail: info@egant.se
www.egant.se



DC Injector

www.egant.se

Frequency range

DC Injector

376-2200MHz

Description

DC-Injector

Connector

N(m)-N(f)

Ordering number

EG 606 0015



DC Block / DC Injectors

376 - 2700 MHz

TETRA, GSM900, GSM1800, UMTS, W-LAN



Protect your equipment

The robust Egant DC Block prevents voltage and current from harming your radio equipment. The DC Block circuit uses a capacitor which prevents DC current flow while permitting RF power to flow through the DC Block.



Technical Specifications for the DC Block/ DC-Injectors

Below are some typical data. For more detailed information, please contact us.

	DC-Injector	DC-Block 200V	DC-Block 3kV
Electrical Specifications			
Product number:	EG 606 0015	EG 606 0016	EG 500 5012
Passband:	376 - 2200 MHz	376 - 2200 MHz	376 - 2700 MHz
Insertion loss:			
376 - 800 MHz:	≤ 0.3 dB	≤ 0.3 dB	≤ 0.12 dB
800 - 2700 MHz:	≤ 0.3 dB	≤ 0.3 dB	≤ 0.08 dB
Input Return Loss:			
376 - 800 MHz:	17.5 dB	17.5 dB	17.5 dB
800 - 2200 MHz:	17.5 dB	17.5 dB	
800 - 2700 MHz:			20.0 dB
Power Rating:			
RF Power:	120 W avg. 10 kW pk	120 W avg. 10 kW pk	250 W avg. 10 kW pk
DC Voltage:	200 V max	200 V max	3 kV max
DC Current:	10A max		
Impedance in/out:	50 Ohm	50 Ohm	50 Ohm
Mechanical Specifications			
Dimensions (W x H x D):	79 x55 x 40 mm	79 x 40 x 40 mm	79 x 32 x 32 mm
Connectors:			
RF	N (m)	N (m-f)	7/16 (m-f)
RF + DC	N (f)		
DC	SMA (f)		
Weight:	0.3 Kg	0.3 Kg	0.3 Kg
Environmental Specifications			
Temp. range (normal operation):	-35 to +75°C	-35 to +75°C	-35 to +75°C
Humidity:	Relative 5 - 100%	Relative 5 - 100%	Relative 5 - 100%
Sealing:			IP68

Egant reserves the right to change this product specification at any time without notice.

Egant AB
 Box 945
 SE-114 79 Stockholm
 Sweden
 Phone: +46 (0)8 62 00 650
 E-mail: info@egant.se
 www.egant.se